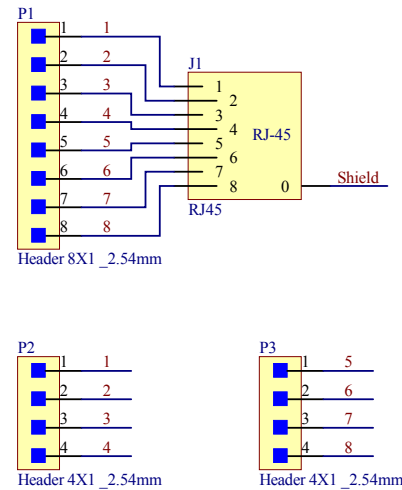
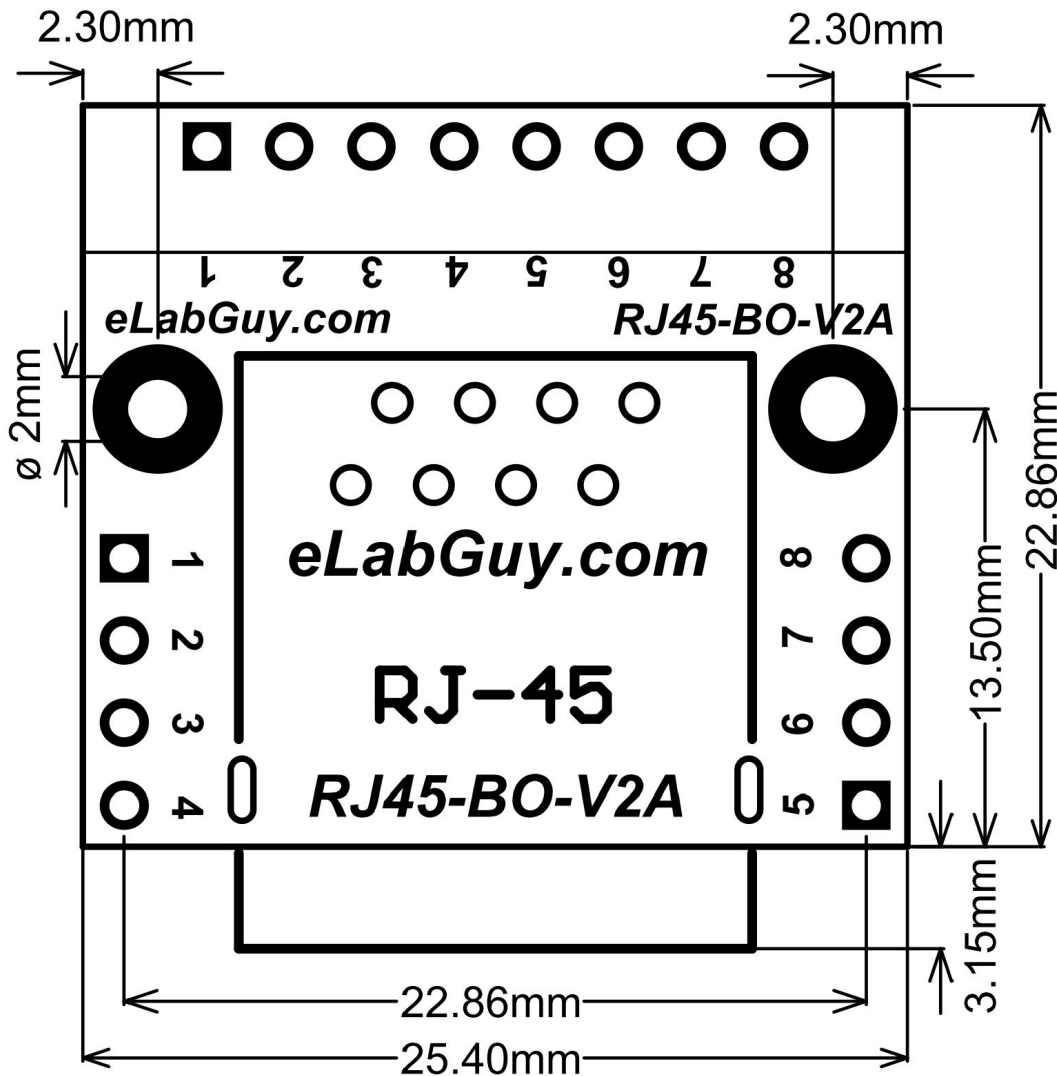


* PCB 1.6mm THICKNESS



RJ45-BO-V2A Schematic Diagram



Title			
RJ45 Female Breakout			
Size	Number	Revision	
A4	RJ45-BO-V2A	2A	
Date:	9/29/2015	Sheet of	
File:	C:\Users\...RJ45 BO V2A Drawing.SchDoc Drawn By: www.eLabGuy.com		

RJ45-BO-V2A PCB outline Drawing